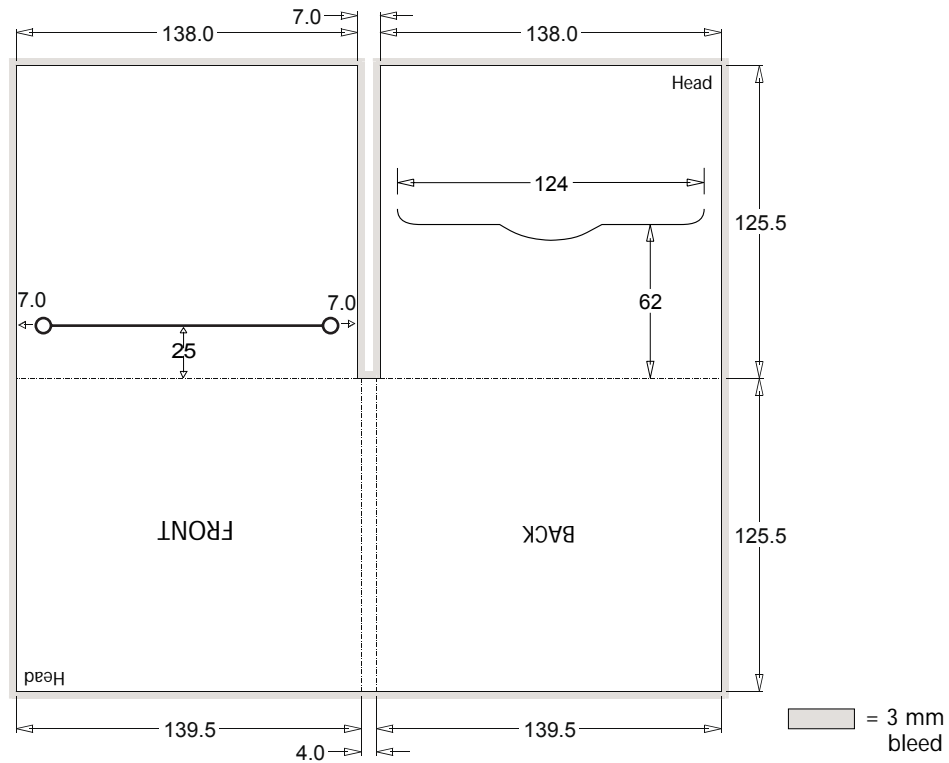


SONIC FACTORY

CD PRINT SPECIFICATION

700: Digifile, 4 pages. with die-cut slot, max. 20 pp. booklet, 1 CD



Format: 139,5 x 4 x 125,5 mm, open 283 x 251 mm (plus 3 mm bleed)
Material: 350 g/m two-side coated art card
Finish: UV gloss varnish
Print: offset printing (standard process colours or special colours: PANTONE)
Pagination: 4 pages

Note: the general printing specifications apply in addition to the above

